



SINGLE FIR FRAME ORDER FORM

W.A. BROWN & SON INC.
 209 LONG MEADOW DRIVE, SALISBURY NC 28147
 PHONE (704) 636-5131 FAX (704) 637-0919

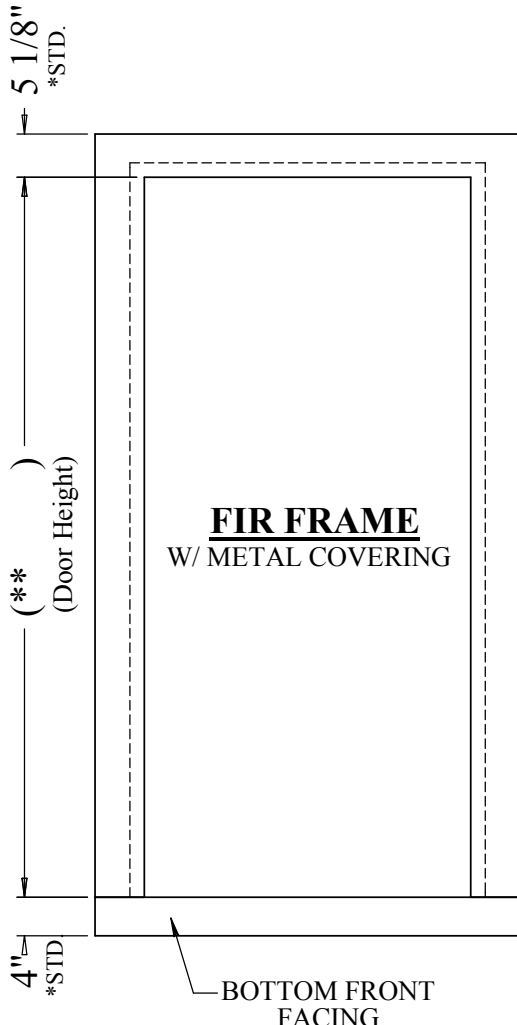
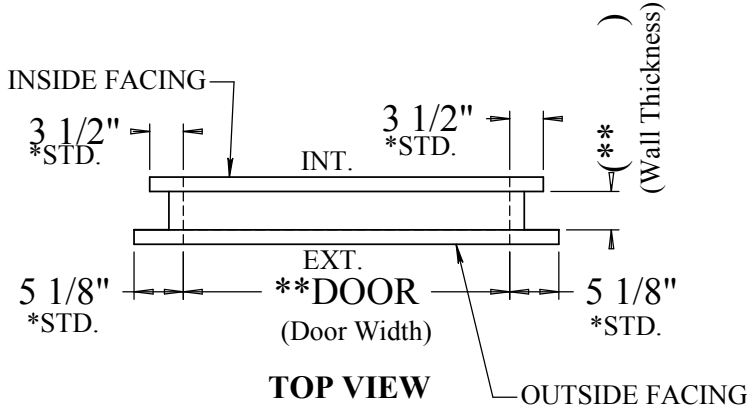
DATE: _____

PHONE: _____

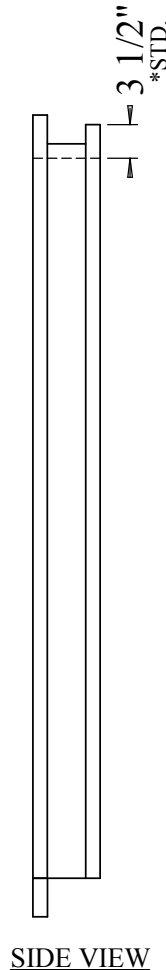
NAME: _____

FAX: _____

- Please use this form to order your Fir Frame Door replacement.
- Please furnish dimensional, finish, swing and hardware information for proper ordering.
- Feel free to contact the W.A. Brown Sales Department at 1-800-438-2316 if you need any assistance.



EXTERIOR VIEW



(NOT REQ'D FOR FLOOR SPLINE APPLICATIONS)

** Required Information

**DOOR

(Mark One)

- | | |
|------------------------------|------------------------------|
| <input type="checkbox"/> 24" | <input type="checkbox"/> 30" |
| <input type="checkbox"/> 34" | <input type="checkbox"/> 36" |
| <input type="checkbox"/> 42" | <input type="checkbox"/> 48" |
| <input type="checkbox"/> 54" | <input type="checkbox"/> 58" |

**Floor Application (Mark One)

- With Floor
- 1 5/8" Floor Spline
- 4 1/4" Floor Spline
- Without Floor or Spline
- Other _____

**Door Hinge (Mark One)

- Hinged Left
- Hinged Right

**Exterior Door Finish (Mark One)

- Galvalume Plus
- Galvanized White
- Stucco Aluminum
- Stainless Steel
- White Stucco Aluminum
- Patterned Stainless Steel

**Interior Door Finish (Mark One)

- Galvalume Plus
- Galvanized White
- Stucco Aluminum
- Stainless Steel
- White Stucco Aluminum
- Patterned Stainless Steel

 CUSTOMER'S SIGNED APPROVAL

NOTE:

- BOTH FACINGS CAN BE ADJUSTED PER FIELD SITUATION
- WALL THICKNESS BEYOND 8" WILL BE BUILD AS A TWO PIECE FRAME