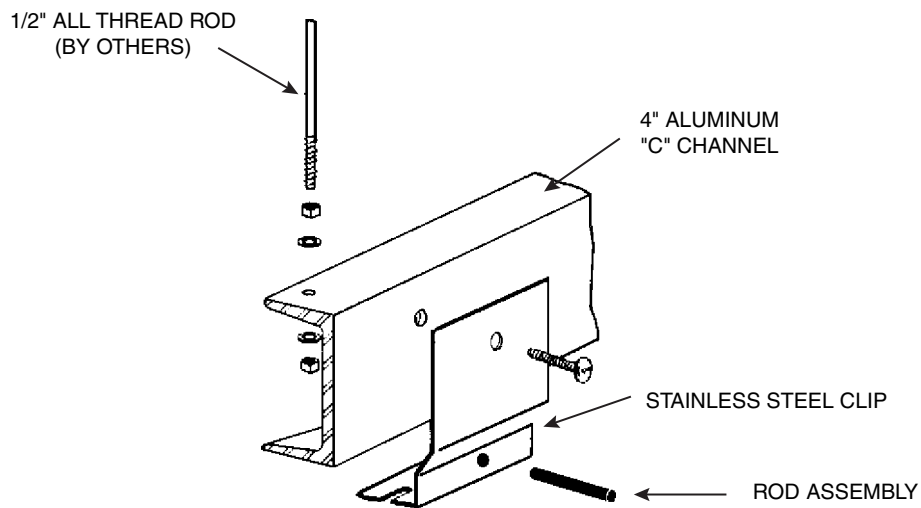
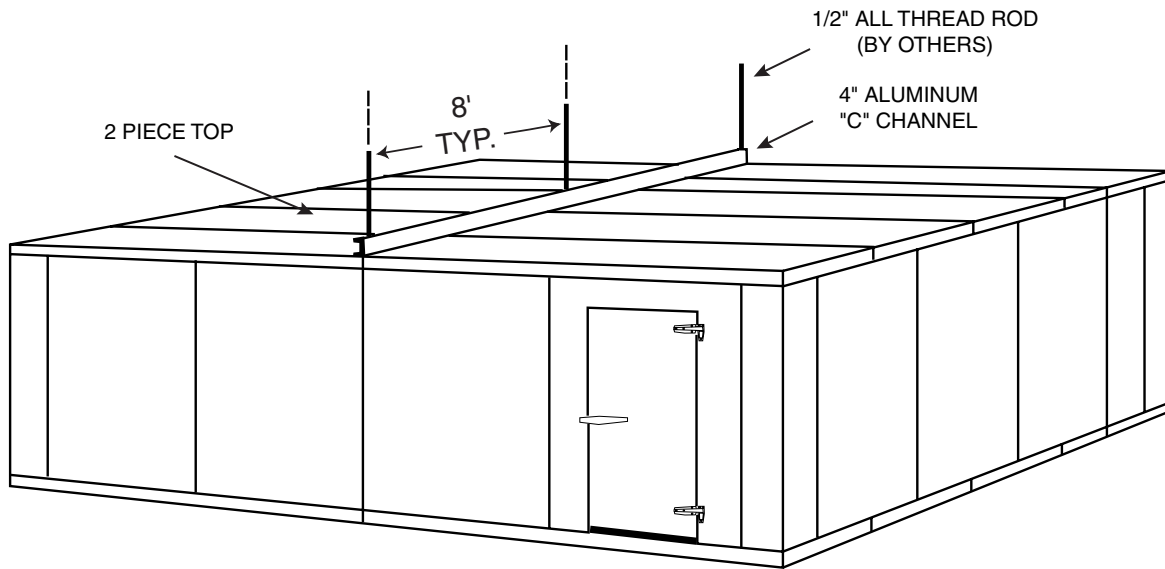


Top Support Suspension System



SUSPENSION SYSTEM



The walk-in ceiling panels are suspended from the building roof superstructure using a 4" aluminum "C" channel. This is attached to the walk-in ceiling panels with a stainless steel clip. This clip is inserted into the female portion of the panel locking device. The aluminum "C" channel is then suspended from the roof superstructure with 1/2" all thread rods (not furnished by Brown). These rods are placed on 8' centers and should be double nutted to prevent the ceiling panels from moving up and down.