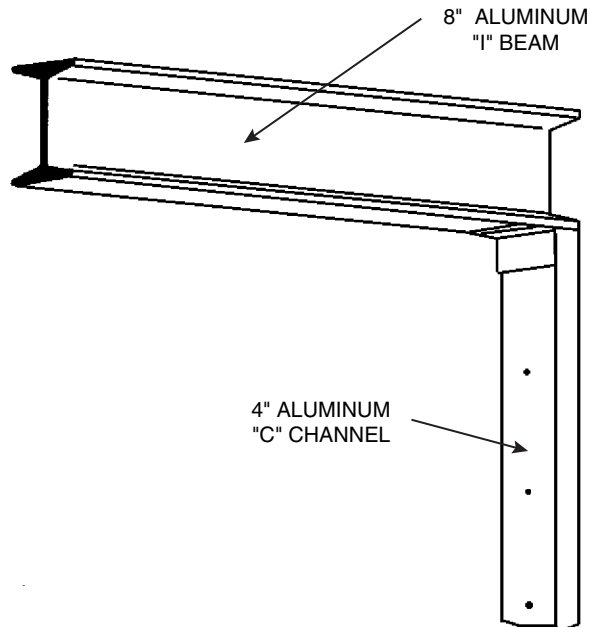
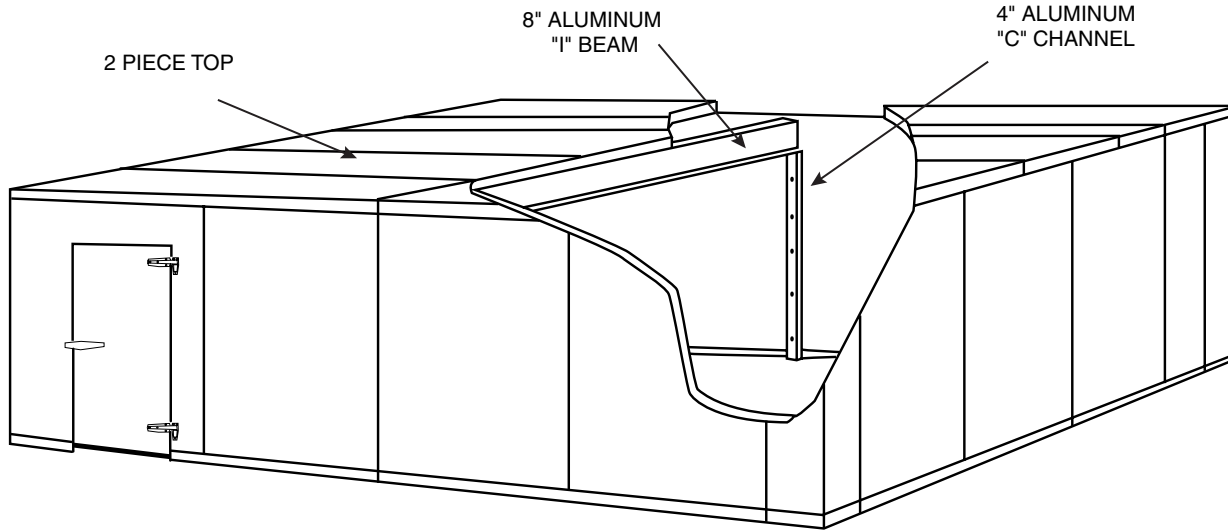


Top Support Interior



INTERIOR BEAM



Interior 8" aluminum beams with 4" aluminum "C" channel can be used when the walk-in is erected indoors or outdoors. The maximum length for a clear span is 25'. For lengths longer than 25', a 4" round aluminum center post must be used. The aluminum post or "I" beam does not require painting and does not require maintenance as would be required when using steel or wood.