

Floor Options & Ratings

1.0 STANDARD

- .100 Diamond Treadplate surface.
- These panels are made to support a **uniformly distributed load** of 750 lbs per square foot (.100 Smooth Aluminum or 16 gauge Smooth Stainless available upon request).

2.0 REINFORCED

- 1/2" Exterior Grade Reinforced wood with .100 Diamond Aluminum Treadplate surface.
- These panels are made to support a **uniformly distributed load** of 1,000 lbs per square foot (.100 Smooth Aluminum or 16 gauge Smooth Stainless available upon request).

3.0 3/16" ALUMINUM TREADPLATE OVERLAY

- .100 Smooth Aluminum surface overlaid with 3/16" Diamond Aluminum Treadplate.
- These panels are made to support a **uniformly distributed load** of 2500 lbs. per square foot.

4.0 REINFORCED WITH 3/16 ALUMINUM TREADPLATE OVERLAY

- 1/2" Exterior Grade Reinforced wood with .100 Smooth Aluminum surface overlaid with 3/16" Diamond Aluminum Treadplate.
- These panels are made to support a **uniformly distributed load** of 2,750 lbs per square foot.

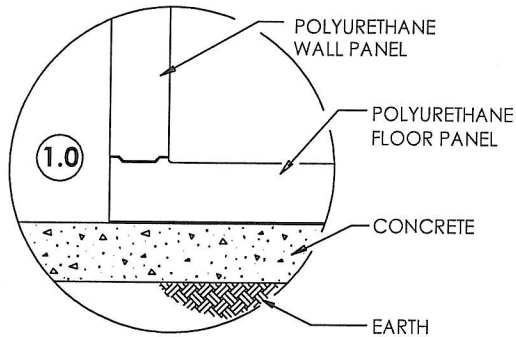
5.0 STRUCTURAL REINFORCED

- Structural FRP combined with exterior grade reinforced wood and .100 Diamond Aluminum Treadplate.
- These panels are made to withstand a **Rolling Load** of 2,000 lbs.

6.0 STRUCTURAL REINFORCED WITH 3/16" ALUMINUM TREADPLATE OVERLAY

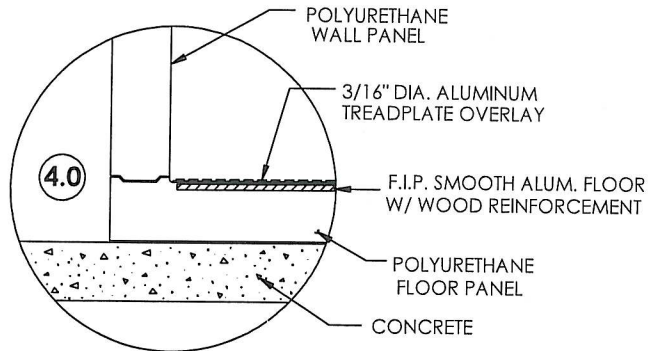
- Structural FRP combined with exterior grade reinforced wood and .100 Smooth Aluminum surface overlaid with 3/16" Diamond Aluminum Treadplate.
- These panels are made to withstand a **Rolling Load** of 4,000 lbs.

FLOOR OPTION DETAILS



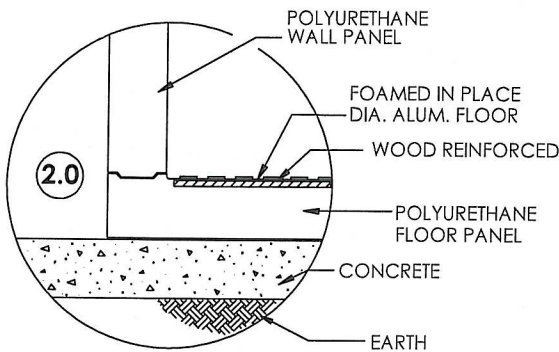
SECTION THROUGH FREEZER WALL

SHOWING FINISHED FLOOR APPLICATION
SUGGESTED DETAIL ONLY - NOT FOR CONSTRUCTION



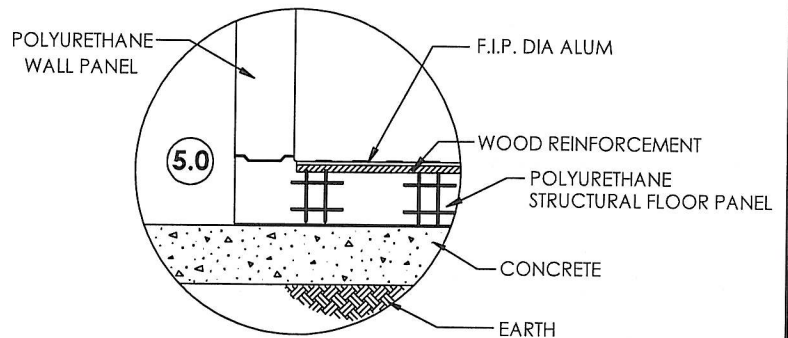
SECTION THROUGH COOLER WALL

SHOWING FINISHED FLOOR APPLICATION
SUGGESTED DETAIL ONLY - NOT FOR CONSTRUCTION



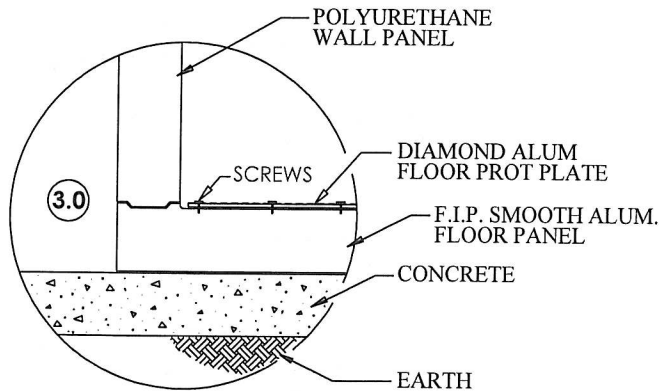
SECTION THROUGH COOLER WALL

SHOWING FINISHED FLOOR APPLICATION
SUGGESTED DETAIL ONLY - NOT FOR CONSTRUCTION



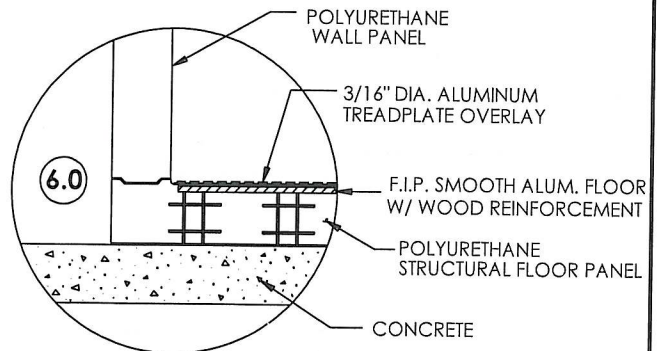
SECTION THROUGH COOLER/FREEZER WALL

SHOWING FINISHED STRUCTURAL FLOOR W/WOOD REINFORCEMENT
SUGGESTED DETAIL ONLY - NOT FOR CONSTRUCTION



SECTION THROUGH COOLER/FREEZER WALL

SHOWING FLOOR PROTECTOR PLATE
SUGGESTED DETAIL ONLY - NOT FOR CONSTRUCTION



SECTION THROUGH COOLER WALL

SHOWING FINISHED FLOOR APPLICATION
SUGGESTED DETAIL ONLY - NOT FOR CONSTRUCTION