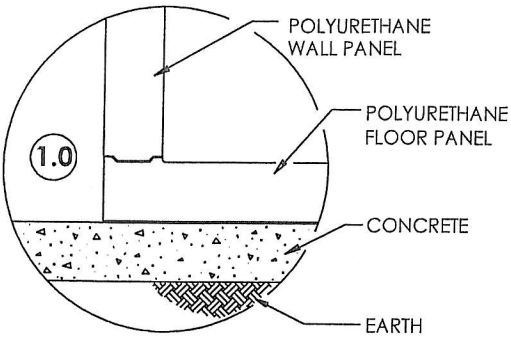
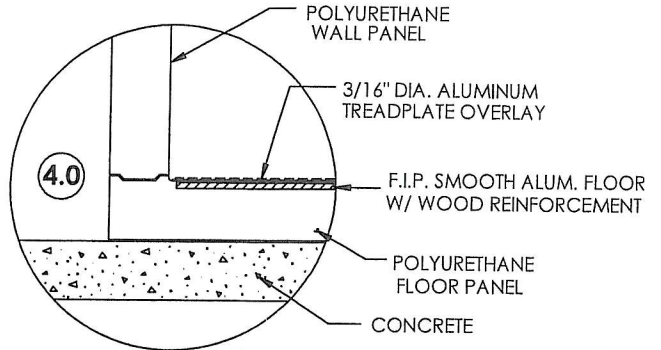


FLOOR OPTION DETAILS



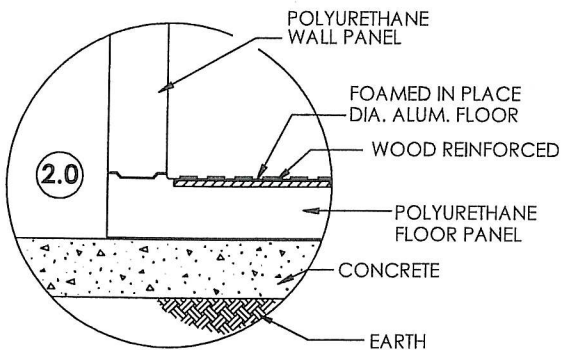
SECTION THROUGH FREEZER WALL

SHOWING FINISHED FLOOR APPLICATION
SUGGESTED DETAIL ONLY - NOT FOR CONSTRUCTION



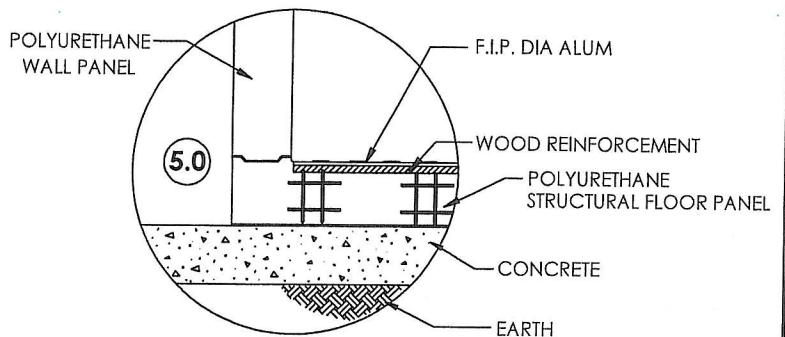
SECTION THROUGH COOLER WALL

SHOWING FINISHED FLOOR APPLICATION
SUGGESTED DETAIL ONLY - NOT FOR CONSTRUCTION



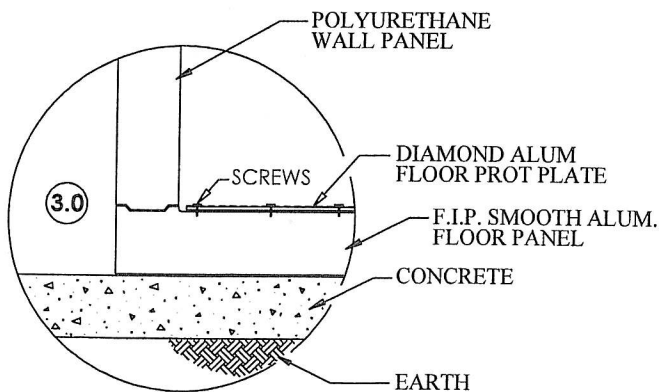
SECTION THROUGH COOLER WALL

SHOWING FINISHED FLOOR APPLICATION
SUGGESTED DETAIL ONLY - NOT FOR CONSTRUCTION



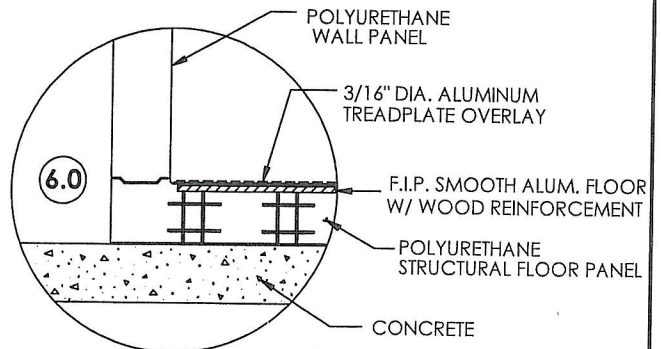
SECTION THROUGH COOLER/FREEZER WALL

SHOWING FINISHED STRUCTURAL FLOOR W/WOOD REINFORCEMENT
SUGGESTED DETAIL ONLY - NOT FOR CONSTRUCTION



SECTION THROUGH COOLER/FREEZER WALL

SHOWING FLOOR PROTECTOR PLATE
SUGGESTED DETAIL ONLY - NOT FOR CONSTRUCTION



SECTION THROUGH COOLER WALL

SHOWING FINISHED FLOOR APPLICATION
SUGGESTED DETAIL ONLY - NOT FOR CONSTRUCTION