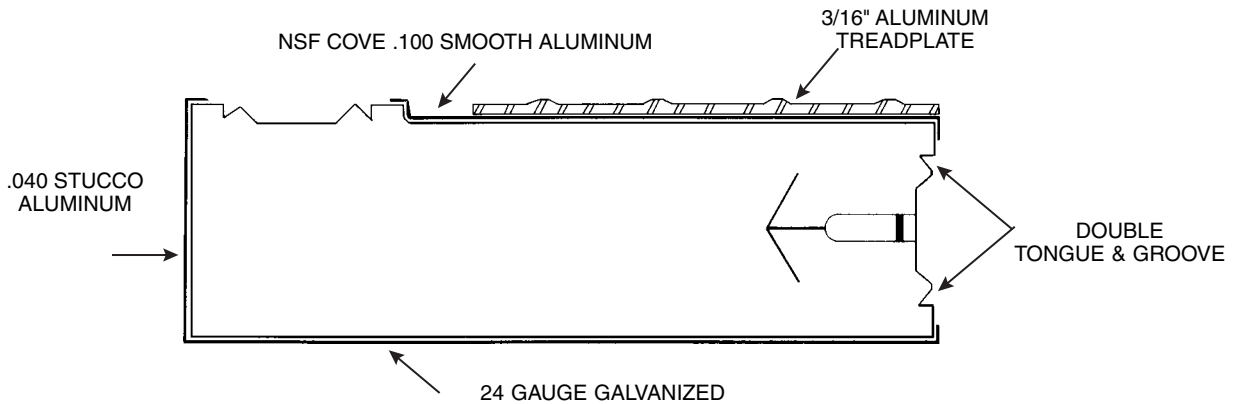




3/16" ALUMINUM TREADPLATE



This method of construction will withstand a uniformly distributed load of 2500 lbs. per square foot.

Note: The three methods mentioned above are for uniformly distributed loads. These methods are sufficient for normal light weight rolling carts and dollies. If heavy traffic is to be used (i.e. fork lifts, pallet jacks) then it will be necessary to have a concrete wearing surface installed above the insulated floor. Please review the following methods to determine the best application for your needs.