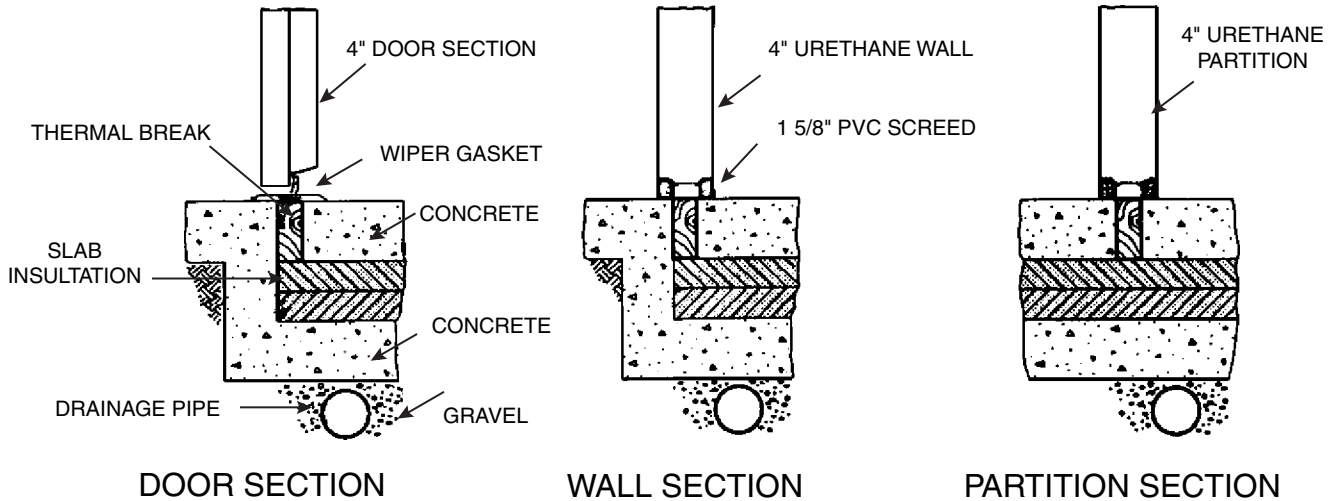
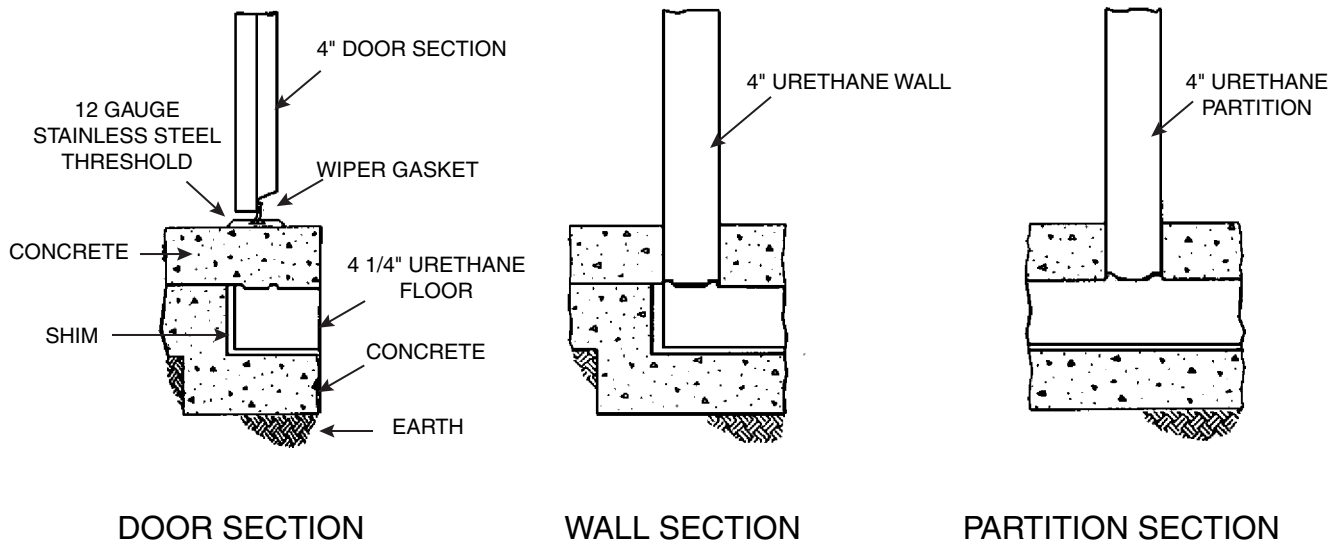




## BUILT-IN FLOOR WITH SCREED



## PREFABRICATED FLOOR



When this method is used, local conditions must be considered. It may be necessary to use drainage tiles for ventilation below the existing concrete floor. Consult factory for additional information.