

U.S. Patent Nos. 6,526,788 B2 and D4531005

**ITEM # 27C**

### 27C DEADBOLT HANDLE LATCH

- Deadbolt security for walk-ins at the economy of a locking pull handle.
- Compare total cost and function of this new, patented dead bolt latch.
- Look to Kason for the innovation and dependability that make us the acknowledged leader in Walk-in refrigeration hardware.

### EASY OPERATION AND USE

- Finger slide seats and opens dead bolt.
- Bolt can be locked in open position.
- Unlocked door easily pulls or pushes open.
- Nothing installed on back of door to snag when going in or out with goods.

### TOP FORM AND FUNCTION

- Bold styling complements all popular Kason walk-in hinges.
- User-friendly design ensures ideal door function when used with Kason hinges.

### ASSURED SECURITY AND SAFETY

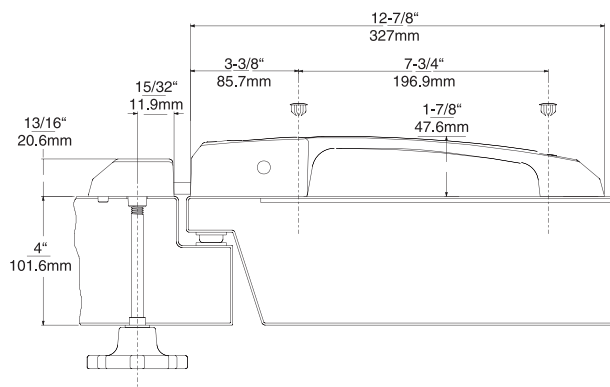
- Deadbolt is secured using cylinder lock or padlock, or both.
- Features tamper-resistant screw hole plugs.
- Easy-grip, twist-off inside release handle prevents lock-ins.

### FAST, SIMPLE INSTALLATION

- Surface-mounts like a locking pull handle; no complex in-door installation.
- Fits standard doors without modification.

### SAVES MAINTENANCE COSTS

- Almost nothing to break or wear out assures long service life.
- Locking mechanism located entirely on outside of panel resists freeze-up, even on super low-temp walk-ins.



### SPECIFICATIONS

#### LATCH

**MATERIAL:**  
Die-cast Zamak handle housing, tongue and strike.

**FINISHES:**  
Polished chrome and brushed chrome.

**LOCKING MECHANISMS:**  
Cylinder lock (may be keyed alike or randomly).  
Accepts 5/16" (7.9mm) dia. shank padlock (customer supplied).

**MOUNTING:**  
Drilled and countersunk for 1/4" (6.4mm) fillister head screws.

#### STRIKE

**MATERIAL:**  
Die-cast Zamak housing, brass rod, black polycarbonate turn-knob.

**FINISHES:**  
Housing same as latch.

Model No.	Item	Finish	Quantity/Carton	Approx Weight/Carton
0027C00004	Deadbolt Handle Latch	Polished Chrome	1	3.5 lb. (1.6kg)
0027C00005	Deadbolt Handle Latch	Brushed Chrome	1	3.5 lb. (1.6kg)



**KASON**

WALK-IN